



www.tohnichi.com

Home / Products / Torque Screwdriver / Adjustable Type Torque Screwdriver / AMLD / BMLD

# Torque Screwdriver

## AMLD / BMLD Adjustable Type Torque Screwdriver

DIRECTION 

 RoHS  ADJUSTABLE  NON-ROTARY SLIP  GRADUATION

### Features

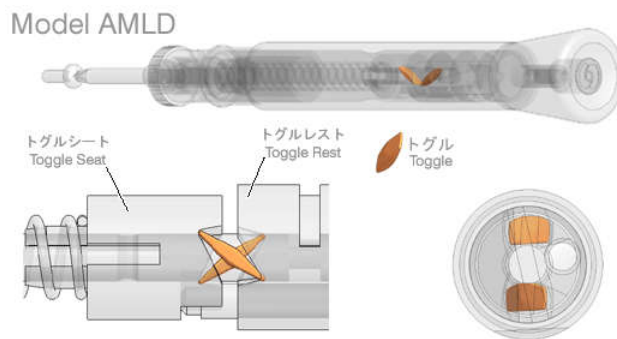
- Adjustable Torque Screwdriver for precision tightening of small screws (M1-M2).
- Easily set torque by twisting body to select torque value
- Upon reaching torque set, user will sense the limit and should stop turning.
  - If user continues turning beyond the limit, tool will continue applying torque.
  - AMLD/BMLD are non rotary slip types. See AMRD/BMRD models for rotary slip feature which prevents over-torque.
- Features enhanced reliability and durability with Tohnichi's toggle clutch torque mechanism.
- Index finger holding feature allows the operator to tighten with precise movements.
- AMLD includes set of Tohnichi bits. BMLD accepts standard 1/4" hex root shaped bits (sold separately)
- Includes Certificate of Calibration
- Counterclockwise tightening model available upon request.
- Applicable for international use including the EU region. Compliant with calibration procedures of ISO 6789 Type II Class D.



**AMLD4CN [Overall length 83 mm] \*AMLD bits are included as a standard accessory.**



**BMLD30CN2 [Overall length 116 mm] \*BMRD bits are sold separately.**



© 2011 TOHNICHI Mfg.CO.,LTD. All Rights Reserved

The AMLD series is equipped with Tohnichi's own toggle mechanism for torque control.

# Specifications

Accuracy ± 3%

S.I. MODEL		AMLD1CN	AMLD2CN	AMLD4CN	AMLD8CN	BMLD15CN2	BMLD30CN2	
TORQUE RANGE [cN • m]	MIN.~MAX.	0.3~1	0.5~2	1~4	2~8	2~15	4~30	
	GRAD.	0.01	0.025	0.05	0.1	0.1	0.2	
METRIC MODEL		100AMLD	200AMLD	400AMLD	800AMLD	1.5BMLD2	3BMLD2	
TORQUE RANGE [gf • cm/kgf • cm]	MIN.~MAX.	gf • cm 30~100	50~200	100~400	200~800	kgf • cm 0.2~1.5	0.4~3	
	GRAD.	gf • cm 1	2.5	5	10	kgf • cm 0.01	0.02	
AMERICAN MODEL		-	AMLD3Z	AMLD6Z	AMLD12Z	1.5BMLD2-A	3BMLD2-A	
TORQUE RANGE [ozf • in/lbf • in]	MIN.~MAX.	—	ozf • in 1~3	2~6	3~12	lbf • in 0.2~1.5	0.4~3	
	GRAD.	—	ozf • in 0.05	0.1	0.2	lbf • in 0.005	0.01	
APPLICABLE SCREW	SMALL SCREW	—	M1	(M1.1) M1.2	(M1.4) M1.6	(M1.8)	M2 (M2.2)	
	TAPPING SCREW	—	—	M1	(M1.1) M1.2	(M1.4) M1.6	(M1.8) M2	
DIMENSION [mm]	OVERALL LENGTH	L'	83				116	
	GRIP	D1	9				15	
		D2	8				11	
		D3	13				15	
	BODY	L1	48				62	
		ø1	14					
		ø2	14				10	
WEIGHT [kg]		0.026				0.05		
ACCESSORY BIT	+	#0						
	-thickness X width	0.15×1, 0.2×1.5, 0.3×2						

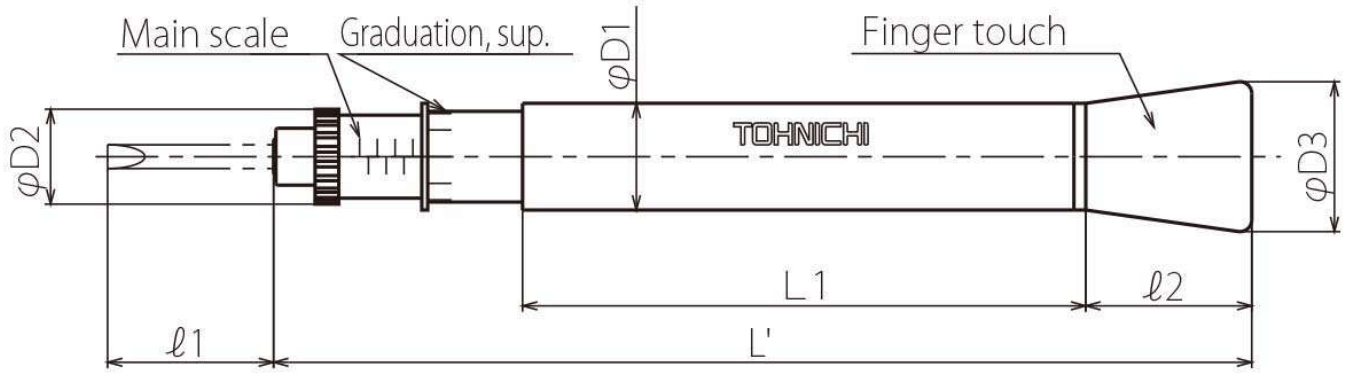
## Notes

Bits for BMLD are sold separately.

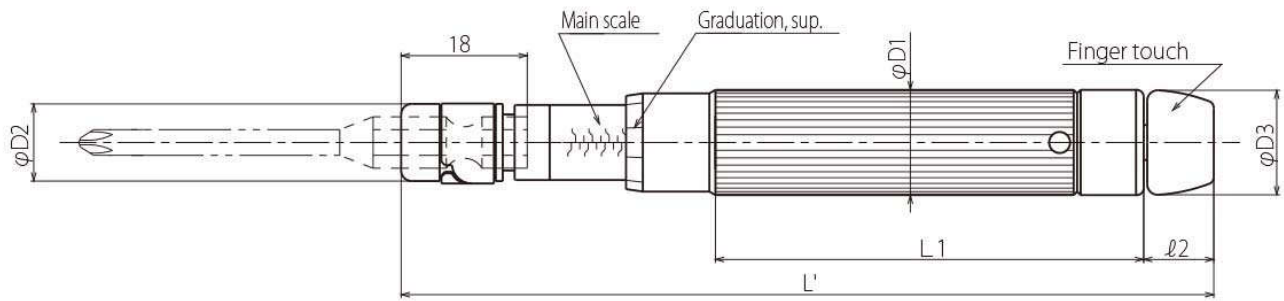
**Standard accessories**

AMLD bits are included as a standard accessory.

# Dimensions



**AMLD1CN~8CN**



**BMLD15CN2, 30CN2**

## Accessories

---



**Interchangeable Bit**