



www.tohnichi.com

Home / Products / Torque Wrench / Dial Indicating Torque Wrench / DB / DBE / DBR

Torque Wrench

DB / DBE / DBR Dial Indicating Torque Wrench

DIRECTION 

 RoHS  FOR INSPECTIONS  DIAL INDICATING  DIRECT READING  MEMORY POINTER

Features

- Wide range and high accuracy dial indicating torque wrench. Ideal for torque quality inspections
- Easy to ready dial face has follower hand memory pointer that stays on peak torque for convenient reference
- Use for tightening purposes by simply rotating the dial to the desired torque. Completed tightening is achieved when the pointer indicates "0".
- DB is not length dependent. Therefore, accuracy is consistent regardless of where the hand is placed during operation.
- The dial indicator has a full-surround protective cover to prevent damage to external objects (except DB420N, DBE, and DBR series models).
- DB25N to DB280N models have a resin grip. Lowest torque range models have index finger handles designed to guide you to use light hand force to avoid possible over-torque.
- DBE has an extension handle.
- For DBR models, applies load by lever block or winch.
- Applicable for international use including the EU region. Compliant with calibration procedures of ISO 6789 Type I Class B.



DB100N-S [overall length 400 mm]



DB12N4-S [overall length 205 mm]



DBE700N [overall length 1260 mm]



DBE2100N-S [overall length 2140 mm with extension bar]

Specifications

Accuracy ±3%

S.I. MODEL		DB15N4-S	DB3N4-S	DB6N4-S	DB12N4-S	DB25N-1/4-S	DB25N-S	DB50N-S	DB100N-3/8-S	DB100N-S	-	-	-	DB200N-S	-	DB280N-1/2-S	DB280N-S	DB420N-S
TORQUE RANGE [N·m]	MIN.~MAX.	0.2~1.5	0.3~3	0.6~6	1~12	3~25	0.5	5~50	10~100	1	-	-	-	20~200	-	30~280	5	40~420
	GRAD.	0.02	0.05	0.1	0.2	0.5	1	5	10	1	-	-	-	2	-	5	5	40
METRIC MODEL		15DB4-S	30DB4-S	60DB4-S	120DB4-S	230DB3-1/4-S	230DB3-S	450DB3-S	900DB3-1/4-S	900DB3-S	-	-	-	1800DB3-S	-	2800DB3-1/2-S	2800DB3-S	4200DB2-S
TORQUE RANGE [Kgf·cm / Kgf·m]	MIN.~MAX.	kgf·cm2~15	3~30	6~60	10~120	30~250	5	50~500	100~1000	-	-	-	200~2000	-	kgf·m3~28	kgf·m0.5	4~42	
	GRAD.	kgf·cm0.2	0.5	1	2	5	10	50	100	-	-	-	20	-	kgf·m0.5	kgf·m0.5	4	
AMERICAN MODEL		DB131-2AS	DB261-2AS	DB401-2AS	DB751-2AS	DB1501-2AS	DB1501-3AS	DB3001-3AS	DB6001-3AS	DB6001-4AS	DB25F-3AS	DB50F-3AS	DB50F-4AS	DB100F-4AS	DB175F-4AS	-	DB250F-6AS	DB350F-6AS
TORQUE RANGE [lbf·in / lbf·ft]	MIN.~MAX.	lbf·in0~13	0~26	0~40	0~75	0~150	0~300	0~600	0~600	lbf·ft0~25	0~50	0~50	0~100	0~175	-	0~250	0~350	
	GRAD.	lbf·in0.2	0.5	1	2	5	10	10	10	lbf·ft0.5	1	1	2	2	-	5	5	
APPLICABLE BOLT	STEEL	(M3.5)	M4 (M4.5)	M5, M6	(M7)	M8	M10	M10	M12 (M14)	M10	M12 (M14)	M10	M16 (M18)	M16 (M18)	-	M20	(M22)	
	HIGHT TENSION	M3 (M3.5)	M4	M4 (M4.5)	M5, M6	(M7)	M8	M10	M8	M10	M8	M10	(M14)	(M14)	-	M16	(M18)	
MAX. HAND FORCE P [N]		8.8	17.6	35.3	70.6	125	208	323	141.2	218.7	488	486.2	467	525		600	800	
	EFFECTIVE LENGTH	L	170			200	240	310	240	310	410	488	488	600	800		690	890
DIMENSION [mm]	OVERALL LENGTH	L'	205			245	320	400	320	400	500	580	690	890		91		
	WIDTH	B	77.2															
	SCALE DIA.	D	69															
		a	6.35															
	SQ. DRIVE	b	7.5	8.5	11	9.53	12.4	12.7	14	11	9.53	12.4	14	12.7	17.7	19.05	20.5	
		e	26.5															
		h	34	38	40.5	29.5	41.9	43.5	40.5	41.9	43.5	33.2	16.3	49.3	31.6	52.1	32.6	
	HEAD	R	14				18.5							21.5		18		
		r	19			30.6	32	31.3	32	31.3	35.4			35.4		34		
	BODY	d	19			110	140	180	140	180	230			300				
	L0	95	0.4		0.6	0.7	0.6	0.7	0.6	0.7	1		1.65		2.5			
WEIGHT [kg]																		

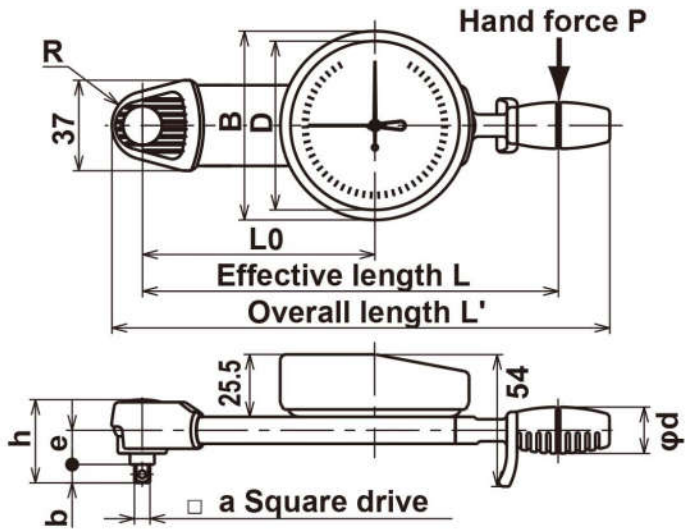
Accuracy ±3%										
S.I. MODEL		DBE560N-S	DBE700N-S	DBE850N-S	DBE1000N-S	DBE1400N-S	DBE2100N-S	DBE2800N-S	DBR4500N-S	DBR6000N-S
TORQUE RANGE [N • m]	MIN.~MAX.	50~560	70~700	100~850	100~1000	200~1400	200~2100	300~2800	500~4500	600~6000
	1 GRAD.	5		10		20		50		100
METRIC MODEL	MIN.~MAX.	5600DBE2-S	7000DBE2-S	8500DBE2-S	10000DBE2-S	14000DBE2-S	21000DBE2-S	28000DBE2-S	45000DBR-S	60000DBR-S
	1 GRAD.	5~56	7~70	10~85	10~100	20~140	20~210	30~280	50~450	60~600
TORQUE RANGE [kgf • m]	MIN.~MAX.	-		1		2		5		-
	1 GRAD.	-	DB500F-6AS	-	DB800F-8AS	DB1000F-8AS	DB1500F-8AS	DB2000F-12AS	DB3000F-12AS	-
AMERICAN MODEL	MIN.~MAX.	-	0~500	-	0~800	0~1000	0~1500	0~2000	0~3000	-
	1 GRAD.	-	10	-	-	10	20	50	-	
APPLICABLE BOLT TENSION	STEEL	M24	(M27)		M30	(M33)	M36	(M39)M42	(M45)M48	M52
	HIGHT TENSION	M20	(M22)	M24	(M27)	M30	(M33)	M36(M39)	M42(M45)	
MAX. HAND FORCE P [N]		560	609	680	741	875	1050	1250	3750	4000
DIMENSION [mm]	EFFECTIVE LENGTH (L)	1000	1150	1250	1350	1600	2000	2240	1200	1500
	OVERALL LENGTH (L)	1100	1260	1360	1490	1740	2140	2380	1285	1585
	WIDTH (B)				91				128	
	SCALE DIA. (D)				81				91	
	SQ. DRIVE (a)	19.05			25.4			38.1		44.45
	SQ. DRIVE (b)	20.5			26.5		28.5	42		46
	HEAD (e)	38.6	42.5	37.4	32.5	41.5	44.8	57.5	97	
	HEAD (h)	59.1	63	63.9	59	68	73.3	99.5	138	142
	HEAD (R)	21	22.5		25	30		32.5		60
	BODY (L1)	723	803.5		805	730	722.5		882.5	
BODY (d)	34		38			34				
BODY (d0)	40		45		51	60	63.5			
BODY (L0)	420				500					
WEIGHT [kg]	4.0	5.5	6.1	6.4	8.6	12.8	16.8	24.5	25.5	

Notes

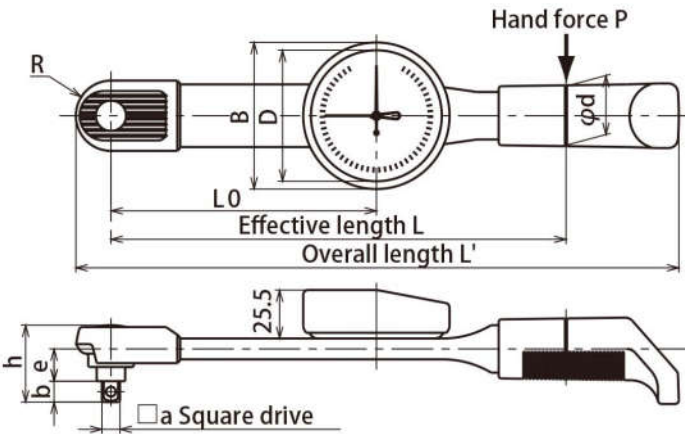
Load applied to DBR with lever block or winch.

For models having over 25.4 mm square drive, use with a through-hole socket.

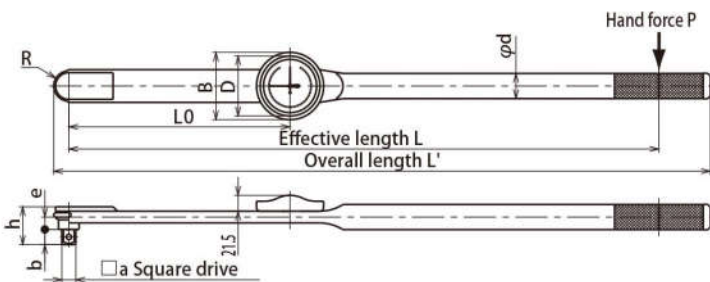
Dimensions



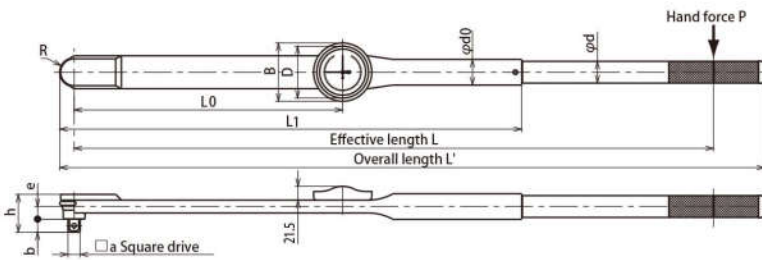
DB1.5N4~12N4



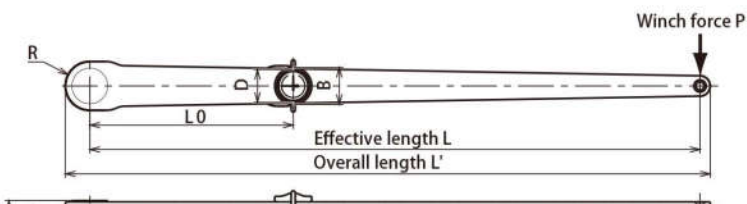
DB25N~280N



DB420N



DBE560N~2800N





DBR4500N-S, 6000N-S

Accessories



Sockets



Tool Set for DB



Carrying Case