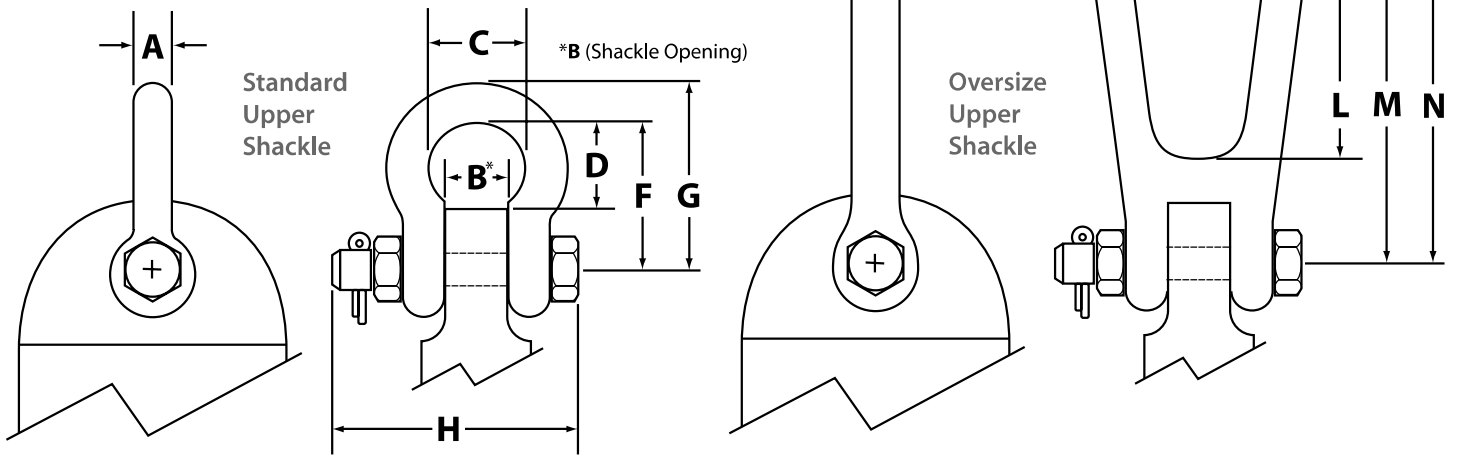


# Dillon ED Series Crane Scales

## Instrument & Hardware Dimensions



### EDXtreme Standard Upper Shackle

Unit Capacity lb. (kg)	A in. (mm)	B in. (mm)	C in. (mm)	D in. (mm)	F in. (mm)	G in. (mm)	H in. (mm)	Weight lb. (kg)
2,500 (1000)	0.76 (19)	1.06 (26)	1.69 (42)	1.35 (34)	2.76 (70)	3.77 (96)	3.55 (90)	2.2 (1.0)
5,000 (2000)	0.76 (19)	1.06 (26)	1.69 (42)	1.35 (34)	2.76 (700)	3.77 (96)	3.55 (90)	2.2 (1.0)
10,000 (5000)*	0.87(22)	1.42 (36)	2.28 (58)	1.97 (50)	3.78 (96)	4.65 (118)	4.36 (110)	4 (1.8)
25,000 (10000)*	1.25 (32)	2.01 (51)	3.27 (83)	3.43 (87)	5.20 (132)	6.46 (164)	7.01 (178)	11 (5.0)
55,000 (25000)*	1.75 (45)	2.91 (74)	4.96 (126)	5.66 (143)	8.00 (203)	9.76 (248)	9.80 (249)	32 (14.5)

### EDjunior Standard Upper Shackle

Unit Capacity lb. (kg)	A in. (mm)	B in. (mm)	C in. (mm)	D in. (mm)	F in. (mm)	G in. (mm)	H in. (mm)	Weight lb. (kg)
2,500 (1000)*	0.43 (11)	0.75 (19)	1.16 (29)	1.18 (30)	1.94 (49)	2.39 (61)	2.64 (67)	0.5 (0.2)
5,000 (2000)*	0.63 (16)	1.06 (27)	1.69 (43)	1.46 (37)	2.87 (73)	3.50 (89)	3.86 (98)	1.7 (0.8)
10,000 (5000)*	0.87 (22)	1.42 (36)	2.28 (58)	2.13 (54)	3.78 (96)	4.65 (118)	5.12 (130)	4 (1.8)
25,000 (10000)*	1.25 (32)	2.01 (51)	3.27 (83)	3.43 (87)	5.20 (132)	6.46 (164)	7.01 (178)	11 (5.0)

### EDXtreme Oversize Upper Shackle — not available on 25,000 lb and 50,000 lb models.

Unit Capacity lb. (kg)	I in. (mm)	J in. (mm)	K in. (mm)	L in. (mm)	M in. (mm)	N in. (mm)	Weight lb. (kg)
2,500 (1000)	0.94 (24)	4.88 (124)	2.76 (70)	4.49 (114)	6.98 (177)	8.64 (219)	6.4 (2.9)
5,000 (2000)	0.94 (24)	4.88 (124)	2.76 (70)	4.49 (114)	6.98 (177)	8.64 (219)	6.4 (2.9)
10,000 (5000)	0.94 (24)	4.88 (124)	2.76 (70)	4.49 (114)	6.73 (171)	8.39 (213)	6.4 (2.9)

### EDjunior Oversize Upper Shackle — not available on 2500 lb model.

Unit Capacity lb. (kg)	I in. (mm)	J in. (mm)	K in. (mm)	L in. (mm)	M in. (mm)	N in. (mm)	Weight lb. (kg)
5,000 (2000)	0.94 (24)	4.88 (124)	2.76 (70)	4.49 (114)	6.98 (177)	8.64 (219)	6.4 (2.9)
10,000 (5000)	0.94 (24)	4.88 (124)	2.76 (70)	4.49 (114)	6.73 (171)	8.39 (213)	6.4 (2.9)

### EDXtreme Instrument Body

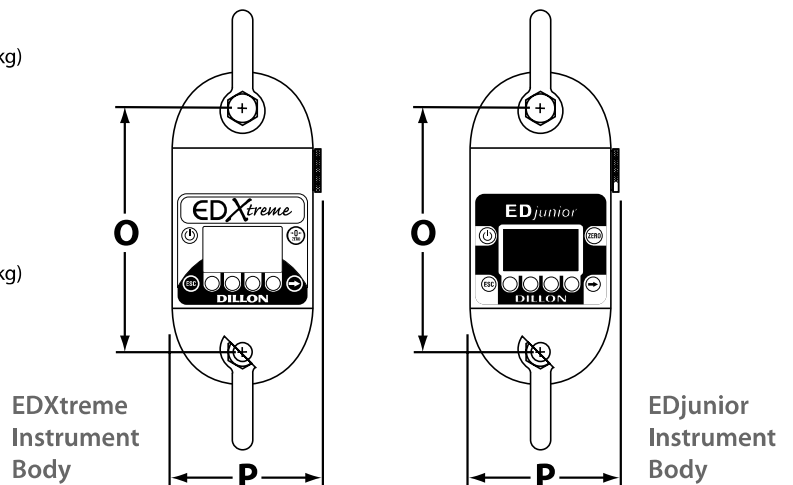
Unit Capacity lb. (kg)	O in. (mm)	P in. (mm)	Weight lb. (kg)
2,500 (1000)	7.79 (198)	5.01 (128)	4.3 (2.0)
5,000 (2000)	7.79 (198)	5.01 (128)	4.4 (2.0)
10,000 (5000)	8.10 (206)	5.34 (136)	5.6 (2.5)
25,000 (10000)	8.04 (204)	5.26 (134)	16 (7.3)
55,000 (25000)	9.18 (233)	5.98 (152)	25 (11)

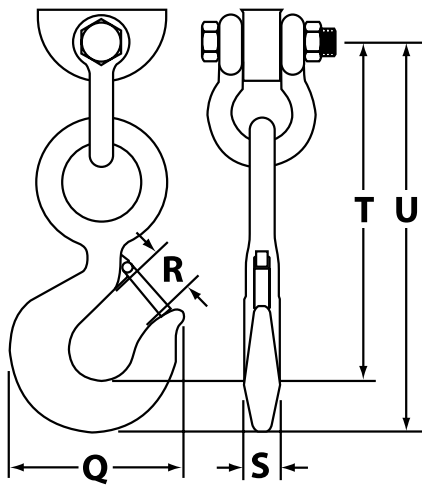
### EDjunior Instrument Body

Unit Capacity lb. (kg)	O in. (mm)	P in. (mm)	Weight lb. (kg)
2,500 (1000)	6.89 (175)	4.98 (127)	2.9 (1.3)
5,000 (2000)	7.85 (199)	4.98 (127)	4.5 (2.0)
10,000 (5000)	8.17 (207)	5.34 (136)	6.4 (2.9)
25,000 (10000)	8.04 (204)	5.26 (134)	16 (7.3)

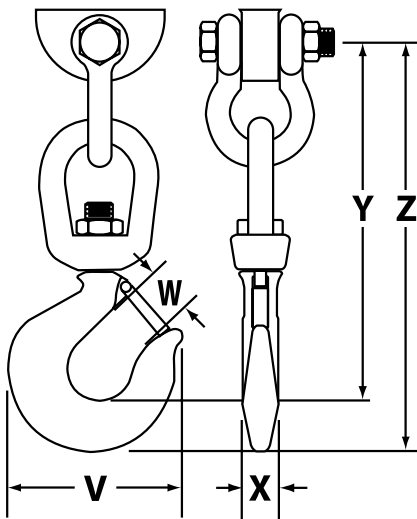
\* Green Pin shackles

Dimensions and weights shown are nominal and subject to tolerances

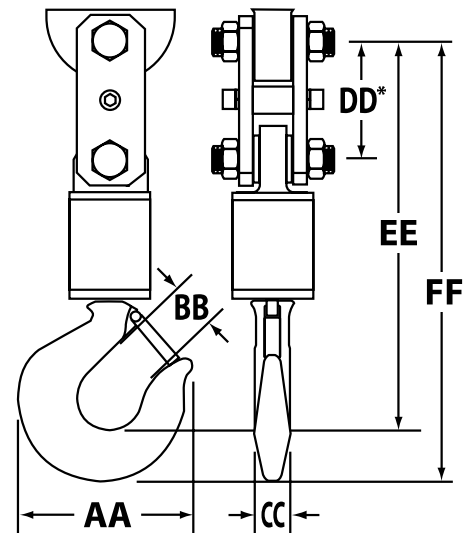




Non-Swivel Hook



Basic Swivel Hook



Bearing Swivel Hook

**EDXtreme Non-Swivel Hook**

Unit Capacity lb. (kg)	Q in. (mm)	R in. (mm)	S in. (mm)	T in. (mm)	U in. (mm)	Weight lb. (kg)
2,500 (1000)	6.3 (160)	1.61 (40)	1.66 (43)	10.2 (258)	12.0 (304)	10 (4.7)
5,000 (2000)	6.3 (160)	1.61 (40)	1.66 (43)	10.2 (258)	12.0 (304)	10 (4.7)
10,000 (5000)*	7.5 (190)	2.08 (52)	1.63 (42)	12.9 (327)	15.1 (384)	19 (9)
25,000 (10000)*	10.4 (262)	3.02 (76)	2.38 (61)	17.8 (451)	20.8 (528)	50 (23)
55,000 (25000)*	14.1 (358)	3.00 (76)	3.19 (82)	27 (686)	22.8 (578)	138 (63)

**EDjunior Non-Swivel Hook**

Unit Capacity lb. (kg)	Q in. (mm)	R in. (mm)	S in. (mm)	T in. (mm)	U in. (mm)	Weight lb. (kg)
2,500 (1000)*	4.0 (101)	1.09 (27)	0.94 (24)	6.4 (163)	7.6 (191)	2.6 (1.2)
5,000 (2000)*	6.3 (160)	1.61 (40)	1.66 (43)	10.0 (254)	11.4 (290)	10 (4.6)
10,000 (5000)*	7.5 (190)	2.08 (52)	1.63 (42)	12.9 (327)	15.1 (384)	19 (9)
25,000 (10000)*	10.4 (262)	3.02 (76)	2.38 (61)	17.8 (451)	20.8 (528)	50 (23)

**EDXtreme Basic Swivel Hook — not available on 50,000 lb model**

Unit Capacity lb. (kg)	V in. (mm)	W in. (mm)	X in. (mm)	Y in. (mm)	Z in. (mm)	Weight lb. (kg)
2,500 (1000)	4.8 (123)	1.14 (29)	1.36 (34)	10.3 (261)	11.8 (298)	7.1 (3.2)
5,000 (2000)	4.8 (123)	1.14 (29)	1.36 (34)	10.3 (261)	11.8 (298)	7.1 (3.2)
10,000 (5000)*	6.3 (160)	1.39 (36)	1.61 (40)	13.5 (342)	15.3 (388)	14 (6)
25,000 (10000)*	8.3 (212)	1.95 (50)	2.27 (57)	17.2 (438)	19.8 (504)	34 (15)

**EDjunior Basic Swivel Hook**

Unit Capacity lb. (kg)	V in. (mm)	W in. (mm)	X in. (mm)	Y in. (mm)	Z in. (mm)	Weight lb. (kg)
2,500 (1000)*	3.2 (81)	0.72 (19)	0.95 (24)	7.4 (186)	8.2 (208)	1.7 (0.8)
5,000 (2000)*	4.8 (123)	1.14 (29)	1.36 (34)	10.1 (257)	11.6 (294)	6.8 (3.1)
10,000 (5000)*	6.3 (160)	1.39 (36)	1.61 (40)	13.5 (342)	15.3 (388)	14 (6)
25,000 (10000)*	8.3 (212)	1.95 (50)	2.27 (57)	17.2 (438)	19.8 (504)	34 (15)

**EDXtreme Bearing Swivel Hook (swivel under load) — not available on EDjunior**

Unit Capacity lb. (kg)	AA in. (mm)	BB in. (mm)	CC in. (mm)	DD** in. (mm)	EE in. (mm)	FF in. (mm)	Weight lb. (kg)
2,500 (1000)	4.9 (123)	1.14 (29)	1.41 (35)	4.01 (102)	12.7 (321)	14.1 (358)	11 (5.0)
5,000 (2000)	4.9 (123)	1.14 (29)	1.41 (35)	4.01 (102)	12.7 (321)	14.1 (358)	11 (5.0)
10,000 (5000)	6.3 (160)	1.45 (37)	1.69 (42)	4.51 (115)	15.3 (388)	17.1 (435)	21 (10)
25,000 (10000)	10.3 (263)	2.39 (61)	3.19 (81)	5.01 (128)	22.7 (576)	25.7 (652)	65 (30)
55,000 (25000)	13.6 (346)	3.01 (77)	3.25 (82)	not used	20.9 (531)	24.6 (623)	140 (64)

\* Green Pin shackles

(Y) \*May use clevis link or shackle depending upon capacity.

**Selecting an ED Series Crane Scale is easy:**

1. Choose EDXtreme or EDjunior unit.
2. Select required capacity.
3. Select upper shackle style.
4. Select hook style.
5. Obtain dimensional information from charts.
6. Add radio remote and/or backlight options, if desired.

**Common Measurements:**

1. Headroom: add dimensions (F OR M) + O + (T OR Y OR EE)
2. Total Length: add dimensions (G OR N + O + (U OR Z OR FF)
3. Shackle Thickness: subtract dimensions (G OR N) - (F OR M)
4. Hook Thickness: subtract dimensions (V OR Z OR FF) - (T OR Y OR EE)

# Dillon ED Series Crane Scales

## EDjunior - Capacity x Resolution

Unit Capacity lb. (kg)	Capacity x Resolution		Overload <sup>1</sup>	Body Construction	
2,500 (1000)	2500 lbf x 2	1000 kgf x 1	10000 N x 10	700 %	2024 Aircraft Aluminum
5,000 (2000)	5000 lbf x 5	2000 kgf x 2	20000 N x 20	700 %	2024 Aircraft Aluminum
10,000 (5000)	10,000 lbf x 10	5000 kgf x 5	50000 N x 50	700 %	2024 Aircraft Aluminum
25,000 (10000)	25,000 lbf x 20	10000 kgf x 10	100,000 N x 100	500 %	E4340 Alloy Steel

1. Ultimate overload protection

## EDjunior Specifications

**Enclosure:** Designed to NEMA4X/IP55. Suitable for continuous outdoor use.

**Accuracy:** 0.2% of capacity.

**Repeatability:** 0.2% of capacity.

**Ultimate overload:** 700%

**Safe overload:** 200%

**Display:** 128 x 64 dot-graphic LCD display shows all digits 1.0" (26 mm) high plus annunciators and softkeys.

**Display update rate:** 2 times per second.

**RS-232 communication:** Not available. See Dillon EDX Crane Scale.

**Calibration:** Traceable to the National Institute of Standards and Technology. Calibration card included.

**Battery life:** 400 hours typical use with two C-cell alkaline batteries.

**Operating temperature:** -4° F to 158° F (-20° to 70° C)

**Included with instrument:** Batteries, manual and calibration card.

**Optional accessories:** Shipping / storage crate.

**Approval:** CE

### AUTHORIZED DISTRIBUTORS

**Ask the experts.** Dillon distributors offer complete service capabilities from application assistance to sales and product support. Their experienced representatives are the most knowledgeable experts that you will find in the force measurement industry. We recommend that you consult these capable specialists for all of your measuring needs.

### DILLON USA

1000 Armstrong Drive  
Fairmont, MN 56031

**Toll-Free:** (800) 368-2031

**Phone:** (507) 238-8796

**Fax:** (507) 238-8258

[www.dillonforce.com](http://www.dillonforce.com)



### DILLON UK

Foundry Lane, Smethwick,  
West Midlands B66 2LP

**Phone:** +44 (0) 845 246 6717

**Fax:** +44 (0) 845 246 6718

**Email:** [sales@dillon-force.co.uk](mailto:sales@dillon-force.co.uk)

[www.dillon-force.co.uk](http://www.dillon-force.co.uk)

# DILLON

## Force Measurement Equipment

A division of Avery Weigh-Tronix, LLC

Dillon is part of Avery Weigh-Tronix. Avery Weigh-Tronix is a trademark of the Illinois Tool Works group of companies whose ultimate parent company is Illinois Tool Works Inc ("Illinois Tool Works"). Copyright © 2013 Illinois Tool Works. All rights reserved.

This publication is issued to provide outline information only and may not be regarded as a representation relating to the products or services concerned. This publication was correct at the time of going to print, however Avery Weigh-Tronix reserves the right to alter without notice the specification, design, price or conditions of supply of any product or service at any time.