



www.tohnichi.com

Home / Products / Torque Screwdriver / Adjustable Type Torque Screwdriver / RTD

Torque Screwdriver

RTD Adjustable Type Torque Screwdriver

DIRECTION 

 RoHS  ASSEMBLY  ADJUSTABLE  MANUAL LOADING  GRADUATION  ROTARY SLIP

Features

- Adjustable torque screwdriver with rotary slip mechanism is idea for various jobs allowing easy change of torque setting.
- Adjustable type features external scale that can be set simply by twisting the body to line up with desired torque setting and then secured in place with black lock ring.
 - Hexagonal shaped locker prevents driver from rolling when set down on flat surfaces between uses.
- Rotary slip mechanism prevents over torque.
 - User will sense and hear "click" at set torque and should then stop turning, if user continues, the rotary slip mechanism will ratchet the driver without applying additional torque.
- Features Tohnichi's toggle clutch torque detection mechanism for enhanced durability.
- Accepts standard 1/4" hex root shaped bits (sold separately)
- Includes Certificate of Calibration from ISO factory.
 - NIST Certificates available upon request for additional fee.
- Models available in SI, Metric, and American units.
 - Select model according to units of measure and required torque range.
- Applicable for international use including the EU region. Compliant with calibration procedures of ISO 6789 Type II Class D.
- Counterclockwise tightening model available upon request



RTD60CN [Overall length 110 mm]

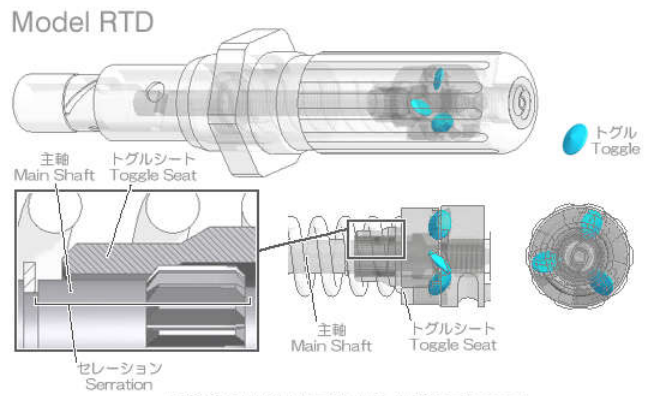


RTD120CN [Overall length 130 mm]



RTD Locker shape for rolling prevention





The RTD series is equipped with Tohnichi's own toggle mechanism for torque control.
The bit on the picture is optional.

Specifications

Accuracy ± 3%

S.I. MODEL		RTD15CN		RTD30CN		RTD60CN		RTD120CN		RTD260CN		RTD500CN	
TORQUE RANGE [cN • m]	MIN.~MAX.	2~15		4~30		10~60		20~120		60~260		100~500	
	GRAD.	0.1		0.2		0.5		1		2		5	
METRIC MODEL		1.5RTD		3RTD		6RTD		12RTD		26RTD		50RTD	
TORQUE RANGE [kgf • cm]	MIN.~MAX	0.2~1.5		0.4~3		1~6		2~12		6~26		10~50	
	GRAD.	0.01		0.02		0.05		0.1		0.2		0.5	
AMERICAN MODEL		RTD20Z	RTD1.3I	RTD40Z	RTD2.6I	RTD80Z	RTD5I	RTD150Z	RTD10I	RTD22I	RTD40I		
TORQUE RANGE [ozf • in/lbf • in]	MIN.~MAX	ozf • in 6~20	lbf • in 0.2~1.3	ozf • in 15~40	lbf • in 0.4~2.6	ozf • in 20~80	lbf • in 1~5	ozf • in 30~150	lbf • in 2~10	lbf • in 6~22	10~40		
	GRAD.	ozf • in 0.2	lbf • in 0.01	ozf • in 0.5	lbf • in 0.02	ozf • in 1	lbf • in 0.05	ozf • in 2	lbf • in 0.1	lbf • in 0.2	0.5		
APPLICABLE SCREW	SMALL SCREW	(M1.8)		M2 (M2.2)		M2.5,M3		(M3.5)		M4 (M4.5)		M5,M6	
	TAPPING SCREW	(M1.4)	M1.6	(M1.8)	M2	(M2.2)	M2.5	M3 (M3.5)	M4		(M4.5)		
DIMENSION [mm]	OVERALL LENGTH	L'	100		110		130		150		155		
	GRIP	D1	16		20		35		44		33		
		D2	10.7		14.8		18		23		26		
		D3					11						
	BODY	L1	18				24						
		L2	76.5~84.3		81.1~90.1		105~115		113.8~123.8		129~141		
		L3											
	LOCKER	d	23.5		29		33		41		45		
W		21.5		26.5		30		37.5		41			
WEIGHT [kg]		0.05		0.08		0.16		0.27		0.32			

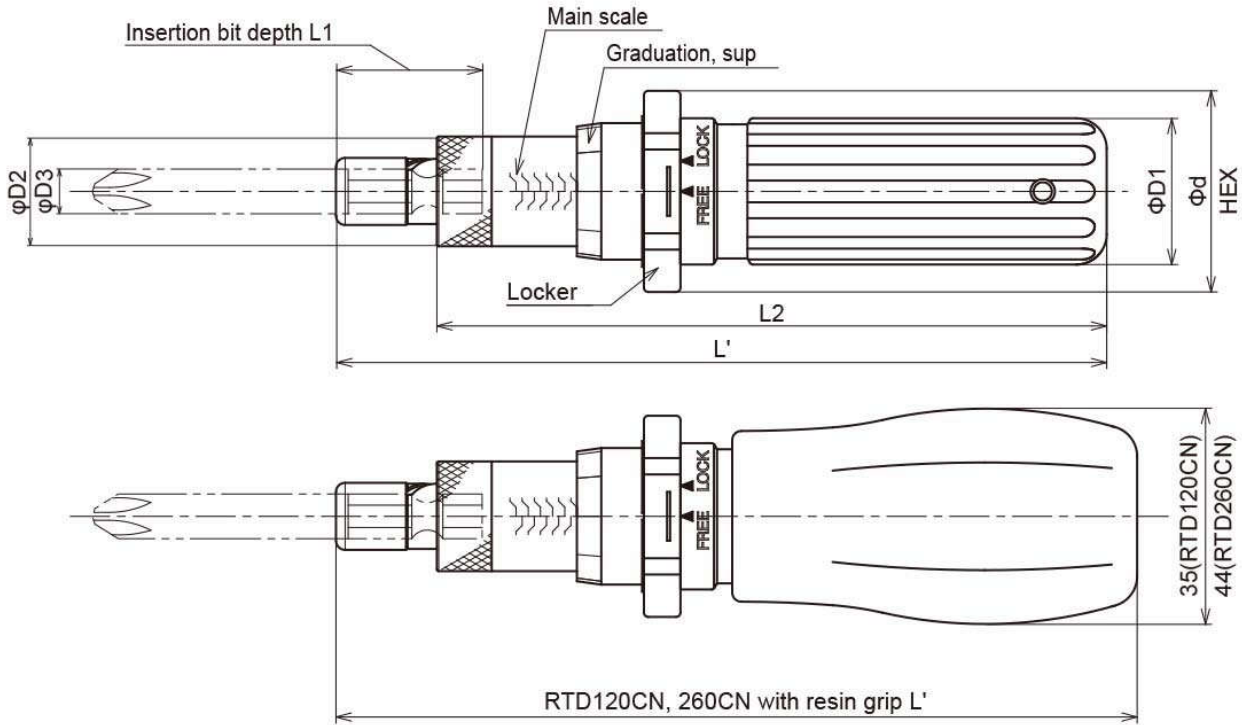
Notes

- Auxiliary tightening tool for RTD500CN can be attached (sold separately).
- Model names and ranges have changed for some models in recent years. View previous model information on the Discontinued Models page for RTD

Standard accessories

- Resin grip (for RTD120CN and RTD260CN only) supplied as standard accessory.

Dimensions



Accessories



Interchangeable Bit



**Adjusting Tool for
LTD/RTD**



**Preset Hook Spanner
For LTD/TD**



**Tightening Tool for
LTD**



**Resin handle for
torque driver**