

# Chatillon® WT12 Series Crane Scales

Specification Sheet

SS-WT12-0310

March 2010

The CHATILLON® WT12 Series mechanical dynamometer may be used as a weighing tensiometer or crane scale. This precision weighing instrument features a large 12-inch (305 mm) dial face with shatter-resistant dial cover in a strong aluminum housing. Available with pound or kilogram dial face, the WT12 Series accuracy is better than 0.5% of full scale. A manually engaged clutch “freezes” the pointer at its maximum reading for exact reading of peak weight. Needle bearings in shackles prevent brinneling under heavy loads and eliminate shackle misalignment. Mechanism sealed against dust and dirt. Oiling not required. Dynamometer comes with NIST traceable Certificate of Calibration with Data. Options include carrying case and hooks.

## Features

- LB and KG Dials
- Rugged Cast Aluminum Housing
- 12-inch Reading Dial is Shatter Resistant
- Peak Weight Pointer
- 400% Safety Factor
- 2 Year Warranty
- Certificate of Calibration with NIST Data

## Specifications

<b>Accuracy:</b>	±0.5% of Full Scale
<b>Maximum Overload:</b>	120% of Rated Capacity
<b>Tare Capacity:</b>	20% of Rated Capacity
<b>Dial Resolution:</b>	200:1
<b>Dial Revolutions:</b>	Full Scale in 1 Rev
<b>Operating Temp:</b>	-50°F to 140°F (-45°C to 60°C)
<b>Relative Humidity:</b>	0 to 85%
<b>Instrument Weight:</b>	18 lbs (8 kg)
<b>Shipping Weight:</b>	22 lbs (10 kg)
<b>Warranty:</b>	1 year

Note: Weights are approximate.



Shown with optional Eye Hook.



## Ordering

### Scale with Shackles

Model	Capacity	Length
WT12-00500	500 x 2 lb	13-1/4 in (337 mm)
WT12-01000	1000 x 5 lb	13-1/4 in (337 mm)
WT12-02000	2000 x 10 lb	13-1/4 in (337 mm)
WT12-05000	5000 x 20 lb	13-1/4 in (337 mm)
WT12-10000	10000 x 50 lb	15 in (381 mm)
WT12-20000	20000 x 100 lb	15 in (381 mm)
WT12-00500K	500 x 2 kg	13-1/4 in (337 mm)
WT12-01000K	1000 x 5 kg	13-1/4 in (337 mm)
WT12-02000K	2000 x 10 kg	13-1/4 in (337 mm)
WT12-05000K	5000 x 20 kg	15 in (381 mm)
WT12-10000K	10000 x 50 kg	15 in (381 mm)

### With Eye Hook

Model	Capacity	Length
WT12-00500-EH	500 x 2 lb	19-13/16 in (503 mm)
WT12-01000-EH	1000 x 5 lb	19-13/16 in (503 mm)
WT12-02000-EH	2000 x 10 lb	19-13/16 in (503 mm)
WT12-05000-EH	5000 x 20 lb	19-13/16 in (503 mm)
WT12-10000-EH	10000 x 50 lb	26-5/16 in (668 mm)
WT12-20000-EH	20000 x 100 lb	26-5/16 in (668 mm)
WT12-00500K-EH	500 x 2 kg	19-13/16 in (503 mm)
WT12-01000K-EH	1000 x 5 kg	19-13/16 in (503 mm)
WT12-02000K-EH	2000 x 10 kg	19-13/16 in (503 mm)
WT12-05000K-EH	5000 x 20 kg	26-5/16 in (668 mm)
WT12-10000K-EH	10000 x 50 kg	26-5/16 in (668 mm)

### With Swivel Hook

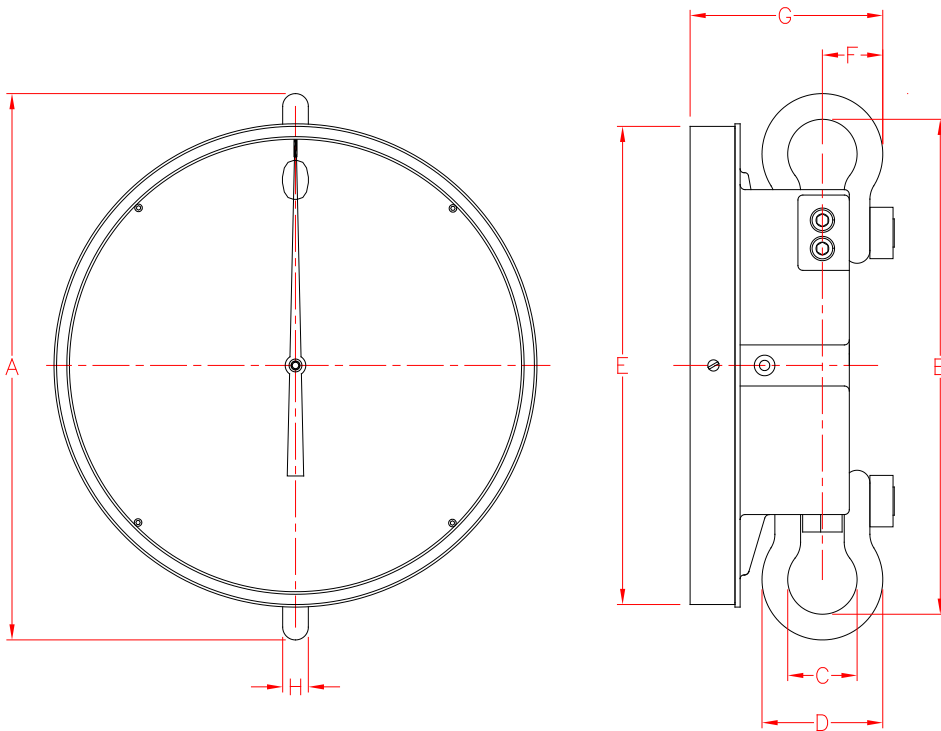
Model	Capacity	Length
WT12-00500-SH	500 x 2 lb	21-1/2 in (546 mm)
WT12-01000-SH	1000 x 5 lb	21-1/2 in (546 mm)
WT12-02000-SH	2000 x 10 lb	21-1/2 in (546 mm)
WT12-05000-SH	5000 x 20 lb	21-1/2 in (546 mm)
WT12-10000-SH	10000 x 50 lb	28-3/8 in (721 mm)
WT12-20000-SH	20000 x 100 lb	28-3/8 in (721 mm)
WT12-00500K-SH	500 x 2 kg	21-1/2 in (546 mm)
WT12-01000K-SH	1000 x 5 kg	21-1/2 in (546 mm)
WT12-02000K-SH	2000 x 10 kg	21-1/2 in (546 mm)
WT12-05000K-SH	5000 x 20 kg	28-3/8 in (721 mm)
WT12-10000K-SH	10000 x 50 kg	28-3/8 in (721 mm)

Quality Assured.

**AMETEK®** | **Chatillon®**  
Precision Weighing

Visit us on the worldwide web:  
www.chatillon.com

## Dimensions



### Dimensions with Shackles

Capacity	A	B	C	D	E	F	G	H
500 - 5000 (inch)	13-1/4	12	1-11/16	3	11-3/4	3-1/8	4-9/16	5/8
(mm)	337	305	43	76	298	79	116	16
10,000 - 20,000 (inch)	15	13-1/4	1-7/16	3-1/4	11-3/4	3-1/8	4-3/4	7/8
(mm)	381	337	37	83	298	79	121	22

## Accessories & Options

Part No.	Description
13400	Eye Hook
13401	Eye Hook
13402	Shackle
13403	Shackle
13404	Swivel Hook
13405	Swivel Hook
SPK-WT12-CASE	Carrying Case

## Optional Accessories



Swivel Shackles



Eye Hooks



Swivel Hooks

# AMETEK

## MEASUREMENT & CALIBRATION TECHNOLOGIES

Americas  
AMETEK  
Measurement & Calibration  
Technologies  
8600 Somerset Drive  
Largo, Florida 33773  
United States of America  
Tel +1-727-536-7831  
Tel +1-800-527-9999  
Fax +1-727-539-6882  
Email chatillon.fl-lar@ametek.com

United Kingdom  
Lloyd Instruments Ltd.  
Sleyning Way  
Bognor Regis  
West Sussex  
PO22 9ST  
United Kingdom  
Tel +44 (0) 1243 833 370  
Tel +44 (0) 1243 833 401  
Email uk-far.general@ametek.co.uk

France  
AMETEK S.A.S.  
Rond Point de l'Epine des Champs  
Buro Plus - Bat. D  
78990 Elancourt  
France  
Tel +33 (0)1 30 68 89 40  
Fax +33 (0)1 30 68 89 49  
Email general@lloyd-instruments.com

Germany  
AMETEK GmbH  
Rudolf-Diesel-Strasse 16  
D-40670 Meerbusch  
Germany  
Tel +49 (0)2159 9136-70  
Fax +49 (0)2159 9136-39  
Email info@ametek.de

Singapore  
AMETEK Singapore Pvt. Ltd.  
10 Ang Mo Kio Street 65  
#05-12 Techpoint  
Singapore 569059  
Tel +65-6484-2388  
Fax +65-6481-6588  
Email aspl@ametek.com.sg

Visit Us on the Worldwide Web at:  
[www.chatillon.com](http://www.chatillon.com)

© 2010 by AMETEK, Inc.

Information within this document is subject to change without notice.

ISO 9001/2000  
ISO/IEC17025  
Manufacturer

For the authorized Chatillon Distributor or Manufacturer's Representative near you, go to [www.chatillon.com](http://www.chatillon.com)