

**DILLON**

Force Measurement Equipment

# EDjunior Dynamometer and Crane Scale



## User Instructions

**Dillon is a trademark of the Illinois Tool Works group of companies whose ultimate parent company is Illinois Tool Works Inc (“Illinois Tool Works”). Copyright © 2014 Illinois Tool Works. All rights reserved.**

No part of this publication may be reproduced by making a facsimile copy, by the making of a copy in three dimensions of a two-dimensional work and the making of a copy in two dimensions of a three-dimensional work, stored in any medium by electronic means, or transmitted in any form or by any means, including electronic, mechanical, broadcasting, recording or otherwise without the prior written consent of the copyright owner, under license, or as permitted by law.

This publication was correct at the time of going to print, however Avery Weigh-Tronix reserves the right to alter without notice the specification, design, price or conditions of supply of any product or service at any time.

# Table of Contents

|  |    |
|--|----|
| <b>Chapter 1 General information and warnings</b> .....        | 3  |
| About this manual .....  | 3  |
| Text conventions .....   | 3  |
| Special messages .....   | 3  |
| Installation .....   | 4  |
| Safe handling of equipment with batteries .....                | 4  |
| Safe Operation .....   | 4  |
| Routine maintenance .....                                      | 6  |
| Cleaning the machine .....                                     | 6  |
| Training .....   | 6  |
| Sharp objects .....  | 6  |
| Declaration of Conformity .....                                | 7  |
| <b>Chapter 2 Introduction</b> .....                            | 8  |
| <b>Chapter 3 EDjr Description</b> .....                        | 9  |
| EDjr Front Panel .....   | 9  |
| EDjr Keys .....  | 10 |
| <b>Chapter 4 Power On and Annunciators</b> .....               | 11 |
| <b>Chapter 5 EDjr Setup</b> .....                              | 12 |
| Clock .....  | 12 |
| Setup>Misc .....   | 12 |
| Setup>About .....  | 13 |
| Setup>Test .....   | 14 |
| <b>Chapter 6 EDjr Operation</b> .....                          | 15 |
| Display Modes .....  | 15 |
| Force Measurement .....  | 15 |
| Force Measurement Rezero .....                                 | 15 |
| Displaying Peak Force .....                                    | 16 |
| Calculating Tension in a System .....                          | 17 |
| <b>Chapter 7 Troubleshooting</b> .....                         | 18 |
| <b>Chapter 8 Weighing and Force Measurement Practice</b> ..... | 19 |
| Load Centering .....   | 19 |
| Alignment .....  | 19 |
| Proper Pin Fit .....   | 19 |
| Torque and Bending .....                                       | 19 |
| Certified Gear .....   | 19 |



# 1 General information and warnings

## 1.1 About this manual

---

This manual is divided into chapters by the chapter number and the large text at the top of a page. Subsections are labeled as shown by the 1 and 1.1 headings shown above. The names of the chapter and the next subsection level appear at the top of alternating pages of the manual to remind you of where you are in the manual. The manual name and page numbers appear at the bottom of the pages.

### 1.1.1 Text conventions

---

Key names are shown in **bold** and reflect the case of the key being described. This applies to hard keys and onscreen or soft keys.

Displayed messages appear in ***bold italic*** type and reflect the case of the displayed message.

### 1.1.2 Special messages

---

Examples of special messages you will see in this manual are defined below. The signal words have specific meanings to alert you to additional information or the relative level of hazard.



---

***DANGER!***  
***THIS IS A DANGER SYMBOL.***  
***DANGER MEANS THAT FAILURE TO FOLLOW SPECIFIC PRACTICES OR PROCEDURES WILL CAUSE INJURY OR DEATH.***

---



---

***ELECTRICAL WARNING!***  
***THIS IS AN ELECTRICAL WARNING SYMBOL.***  
***ELECTRICAL WARNINGS MEAN THAT FAILURE TO FOLLOW SPECIFIC PRACTICES OR PROCEDURES MAY RESULT IN ELECTROCUTION, ARC BURNS, EXPLOSIONS OR OTHER HAZARDS THAT MAY CAUSE INJURY OR DEATH.***

---



---

***WARNING!***  
***This is a Warning symbol.***  
***Warnings mean that failure to follow specific practices and procedures may have major consequences such as injury or death.***

---



---

***CAUTION!***  
***This is a Caution symbol.***  
***Cautions give information about procedures that, if not observed, could result in damage to equipment or corruption to and loss of data.***

---



---

*NOTE: This is a Note symbol. Notes give additional and important information, hints and tips that help you to use your product.*

---

## 1.2 Installation

---



---

*DANGER: RISK OF ELECTRICAL SHOCK. NO USER SERVICEABLE PARTS. REFER TO QUALIFIED SERVICE PERSONNEL FOR SERVICE.*

---

### 1.2.1 Safe handling of equipment with batteries

---



---

*CAUTION: Danger of explosion if battery is incorrectly replaced. Replace only with the same or equivalent type recommended by the manufacturer. Dispose of used batteries according to the manufacturer's instructions.*

---

---

*ATTENTION: Il y a danger d'explosion s'il y a un remplacement incorrect de la batterie, remplacer uniquement avec une batterie du même type ou d'un type équivalent recommandé par le constructeur. Mettre au rebut les batteries usagées conformément aux instructions du fabricant.*

---

## 1.3 Safe Operation

---

Keep all the following in mind as you use the EDjr dynamometer.



---

*DANGER: IF YOU OVERLOAD THIS DYNAMOMETER YOU COULD SUFFER SEVERE INJURIES OR DEATH. THE TOTAL LOAD ON THE DYNAMOMETER SHOULD NEVER EXCEED THE RATED CAPACITY.*

---

The system capacity is equal to the rating of the dynamometers. The shackle rating should not be used to determine lift capacity of the system.

**Any zeroed deadload must be considered as part of the ultimate load.**

Although this instrument has a substantial overload protection rating, the instrument should not be used above the rated capacity. Doing so can significantly impact fatigue life of the instrument and cause premature and abrupt failure. If a higher capacity reading is needed, Dillon insists that a larger instrument be used.

Safety is always a concern in overhead lifting and tensioning applications. To limit your liability always insist upon factory supplied shackles and pins and factory tested and certified safe optional equipment. All DILLON products are designed to meet the published Safe Working Load (SWL) and Ultimate Safety Factor (USF) standards of the United States Military.

Do not grind, stamp or deform the metal on the dynamometer body in any way.

Any significant damage or deformation to the loading element is cause for evaluation by Dillon, **particularly** in the element side members to the right and left of the display.

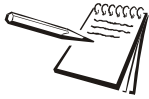
Relieve all torsional and off axis loads.

Apply load in the center of the shackle bow with this instrument.

Off center loading results in substandard performance.

Instrument requires time to stabilize when changing temperatures.

Use only the hardware supplied with this instrument. If no hardware was supplied, insure that the mating pin and shackle bow is equivalent to the hardware used at calibration. Otherwise substandard performance can result.



---

*Dillon recommends only using qualified rigging hardware and cannot be responsible for unapproved hardware.*

---

This instrument is not designed for the following:

- Applications that see rapid, dramatic temperature swings or thermal shock. Wide variation in readings can occur.
- Environments with high electromagnetic fields such as cranes employing electromagnets to lift metal. These induce trace voltages that are picked up within the load cell lead wiring and appear as inaccurate loads.
- Intrinsically safe environments. This unit has not been Factory Mutual tested.

## 1.4 Routine maintenance

---



**IMPORTANT:** This equipment must be routinely checked for proper operation and calibration.  
Application and usage will determine the frequency of calibration required for safe operation.

---

## 1.5 Cleaning the machine

---

Table 1.1 Cleaning DOs and DON'Ts



| DO   | DO NOT  |
|--|---|
| Wipe down the outside of standard products with a clean cloth, moistened with water and a small amount of mild detergent | Attempt to clean the inside of the machine                                      |
| Spray the cloth when using a proprietary cleaning fluid  | Use harsh abrasives, solvents, scouring cleaners or alkaline cleaning solutions |
|  | Spray any liquid directly on to the display windows                             |

## 1.6 Training

---

Do not attempt to operate or complete any procedure on a machine unless you have received the appropriate training or read the instruction books.

To avoid the risk of RSI (Repetitive Strain Injury), place the machine on a surface which is ergonomically satisfactory to the user. Take frequent breaks during prolonged usage.

## 1.7 Sharp objects

---

Do not use sharp objects such as screwdrivers or long fingernails to operate the keys.



# 1.8 Declaration of Conformity

# DILLON

Avery Weigh-Tronix  
Foundry Lane, Smethwick, West Midlands, B66 2LP, England



**Declaration of Conformity**  
**Verklaring van Overeenstemming**  
**Déclaration de Conformité**

**Konformitätserklärung**  
**Dichiarazione di conformità**  
**Declaración de Conformidad**

|   |  |                                  |
|---|--|----------------------------------|
| Manufacturer Type<br>Dillon EDx, EDjr Communicator II   | EDx, EDjr Serial No.<br>Communicator II Serial No. | DEDR000000<br>DCOM005000 Onwards |
| The machinery fulfills all the relevant provisions of the Machinery Directive 2006/42/EC <sup>1</sup>   |  |                                  |
| EMC Directive   | 2004/108/EC  |                                  |
| Low Voltage Directive   | 2006/95/EC   |                                  |
| The applicable harmonised standards are:  |  |                                  |
| EN61000-6-1:2007<br>EN 60950-1 : 2006<br>+A12:2011  | EN 61000-6-3 : 2007<br>+A1:2011                    |                                  |
| Note <sup>1</sup> :<br>A copy of the Technical File for this equipment is available from M.S. Williams at the address below.  |  |                                  |
| ITW Ltd trading as Avery Weigh-Tronix<br>Foundry Lane, Smethwick,<br>West Midlands, B66 2LP, England<br>Reg. Office: Admiral House, St Leonards Road,<br>Berkshire SL4 3BL, England<br>Registered in England No. 00559693 |  |                                  |

|  |  |                                |
|--|--|--------------------------------|
| Fabrikant Type<br>Dillon EDx, EDjr Communicator II   | EDx, EDjr Seriennummer<br>Communicator II Seriennummer | DEDR000000<br>Vanaf DCOM005000 |
| De machine voldoet aan alle relevante bepalingen van de Richtlijn inzake machines 2006/42/EC <sup>1</sup>  |  |                                |
| EMC Richtlijn  | 2004/108/EG  |                                |
| Laagspanningsrichtlijn   | 2006/95/EG   |                                |
| Toegepaste geharmoniseerde normen:   |  |                                |
| EN61000-6-1:2007<br>EN 60950-1 : 2006<br>+A12:2011   | EN 61000-6-3 : 2007<br>+A1:2011                        |                                |
| N.B. <sup>1</sup> :<br>Een kopie van het technisch bestand voor deze apparatuur is verkrijgbaar van M.S. Williams op het onderstaande adres.   |  |                                |
| ITW Ltd trading as Avery Weigh-Tronix<br>Foundry Lane, Smethwick,<br>West Midlands B66 2LP, England.<br>Reg. Kantoor: Admiral House, St Leonards Road,<br>Berkshire SL4 3BL, Engeland.<br>Geregistreerd in Engeland nr. 00559693 |  |                                |

|   |  |                                      |
|---|--|--------------------------------------|
| Fabricant Type<br>Dillon EDx, EDjr Communicator II  | EDx, EDjr Numéro de série<br>Communicator II Numéro de série | DEDR000000<br>A partir de DCOM005000 |
| La machine remplit l'ensemble des spécifications du cahier des charges de la Directive relative aux machines 2006/42/CE <sup>1</sup>  |  |                                      |
| Directive CEM   | 2004/108/CE  |                                      |
| Directive Basse Tension   | 2006/95/CE   |                                      |
| Les normes harmonisées applicables sont :   |  |                                      |
| EN61000-6-1:2007<br>EN 60950-1 : 2006<br>+A12:2011  | EN 61000-6-3 : 2007<br>+A1:2011                              |                                      |
| Remarque <sup>1</sup> :<br>Pour obtenir un exemplaire de la Fiche technique de cet équipement, s'adresser à M.S. Williams à l'adresse ci-dessous.   |  |                                      |
| ITW Ltd trading as Avery Weigh-Tronix<br>Foundry Lane, Smethwick,<br>West Midlands, B66 2LP, Angleterre<br>Siège social : Admiral House, St Leonards Road,<br>Berkshire SL4 3BL, Angleterre<br>Enregistré en Angleterre sous le numéro : 00559693 |  |                                      |

|   |  |                             |
|---|--|-----------------------------|
| Hersteller Typ<br>Dillon EDx, EDjr Communicator II  | EDx, EDjr Seriennummer<br>Communicator II Seriennummer | DEDR000000<br>Ab DCOM005000 |
| Diese Maschine erfüllt die entsprechenden Bestimmungen der Maschinenrichtlinie 2006/42/EG <sup>1</sup>  |  |                             |
| EMV-Richtlinie  | 2004/108/EG  |                             |
| Niederspannungs Richtlinie  | 2006/95/EG   |                             |
| Die angewendeten harmonisierten Normen sind:  |  |                             |
| EN61000-6-1:2007<br>EN 60950-1 : 2006<br>+A12:2011  | EN 61000-6-3 : 2007<br>+A1:2011                        |                             |
| Anmerkung <sup>1</sup> :<br>Eine Kopie der technischen Unterlagen für dieses Gerät kann von M.S. Williams bei der unten stehenden Adresse angefordert werden.   |  |                             |
| ITW Ltd trading as Avery Weigh-Tronix<br>Foundry Lane, Smethwick,<br>West Midlands, B66 2LP, England<br>Reg. Office: Admiral House, St Leonards Road,<br>Berkshire SL4 3BL, England<br>Registered in England No. 00559693 |  |                             |

|  |  |                                       |
|--|--|---------------------------------------|
| Produttore Modello<br>Dillon EDx, EDjr Communicator II   | EDx, EDjr N. di serie<br>Communicator II N. di serie | DEDR000000<br>A partire da DCOM005000 |
| L'apparecchio rispetta tutte le disposizioni rilevanti della Direttiva Macchine 2006/42/CE <sup>1</sup>  |  |                                       |
| Normativa EMC  | 2004/108/CE  |                                       |
| Normativa per la bassa tensione  | 2006/95/CE   |                                       |
| Le norme standard armonizzate e nazionali applicate sono:  |  |                                       |
| EN61000-6-1:2007<br>EN 60950-1 : 2006<br>+A12:2011   | EN 61000-6-3 : 2007<br>+A1:2011                      |                                       |
| Nota <sup>1</sup> :<br>Una copia della scheda tecnica di questo apparecchio è disponibile presso M.S. Williams, all'indirizzo seguente.  |  |                                       |
| ITW Ltd trading as Avery Weigh-Tronix<br>Foundry Lane, Smethwick,<br>West Midlands, B66 2LP, England<br>Sede legale: Admiral House, St Leonards Road,<br>Berkshire SL4 3BL, England<br>N. iscrizione al registro delle imprese inglese: 00559693 |  |                                       |

|   |  |  |
|---|--|--|
| Fabricante Tipo<br>Dillon EDx, EDjr Communicator II   | EDx, EDjr Número de serie<br>Communicator II Número de serie | DEDR2401391<br>A partir del DCOM005000 |
| La máquina cumple con todas las disposiciones pertinentes de la Directiva 2006/42/CE relativa a las máquinas <sup>1</sup>   |  |  |
| Directiva CME   | 2004/108/CE  |  |
| Directiva de baja tensión   | 2006/95/CE   |  |
| Las normas armonizadas en vigor son:  |  |  |
| EN61000-6-1:2007<br>EN 60950-1 : 2006<br>+A12:2011  | EN 61000-6-3 : 2007<br>+A1:2011                              |  |
| Nota <sup>1</sup> :<br>Puede solicitarse a M.S. Williams una copia del expediente técnico correspondiente a este equipo en la dirección que se indica.  |  |  |
| ITW Ltd trading as Avery Weigh-Tronix<br>Foundry Lane, Smethwick,<br>West Midlands, B66 2LP, Inglaterra.<br>Reg. Office: Admiral House, St Leonards Road,<br>Berkshire SL4 3BL, Inglaterra.<br>Registrado en Inglaterra bajo el n.º: 00559693 |  |  |

|  |                                   |  |   |
|--|-----------------------------------|--|---|
| Signature/Name<br>Handtekening/Nám<br>Signature/Nom<br>Unterschrift/Name<br>Firma/Nome<br>Firma/Nombre |                                   | Authorised signatory for Avery Weigh-Tronix<br>Namens van Avery Weigh-Tronix<br>Signataire autorisé d'Avery Weigh-Tronix<br>Unterschriftsberechtigter für Avery Weigh-Tronix<br>Firmatario autorizzato per Avery Weigh-Tronix<br>Firmante autorizado para Avery Weigh-Tronix | Date<br>Datum<br>Date<br>Datum<br>Data<br>Fecha |
|  | K. Detert<br>Global Head of R & D |  | 6 Dec 2013                                      |

76501-214 Iss3

## 2 Introduction

The EDjunior™ (EDjr) electronic dynamometer from Dillon is a force measurement load sensor and digital readout in one instrument. The EDjr can be used to measure tension or weight.

This manual covers the setup and operation of the EDjr. General information is covered in the right column of each page with major sections separated by the black bar shown above. Subheads appear in the left column along with any special notes, cautions or warnings.

This manual covers the following:

- EDjr Description
- EDjr Setup
- EDjr Operation
- Troubleshooting

Be sure to read the safety precautions found in the Safe Operation section.



---

*DANGER: IF YOU OVERLOAD THIS DYNAMOMETER YOU COULD SUFFER SEVERE INJURIES OR DEATH. THE TOTAL LOAD ON THE DYNAMOMETER SHOULD NEVER EXCEED THE RATED CAPACITY.*

---

## 3 EDjr Description

### 3.1 EDjr Front Panel

---





The EDjr comes in several weight capacities. All have the same front panel, shown in Figure 3.1.



Figure 3.1 EDjr front panel

### 3.1.1 EDjr Keys

There are four “hard” keys and four “soft” keys. The hard keys are permanently labeled and the soft keys are just below the display. The soft key functions change and the key label appears above each key on the display. **Sometimes the individual soft keys are referred to as the F1, F2, F3 and F4 keys as numbered from left to right.**

|  |            |  |
|--|------------|--|
|   | On/Off key | Use this key to turn the unit on and off.  |
|   | ZERO key   | Use this key to zero the force indicated on the display.   |
|   | ESC key    | Use this key to escape from portions of the menu structure and return to previous choices or displays. |
|  | Arrow key  | Use this key to access any available soft keys not currently viewed.                                   |

## 4 Power On and Annunciators

When you power up the EDjr you will see a display similar to the example shown on the left in Figure 4.1.

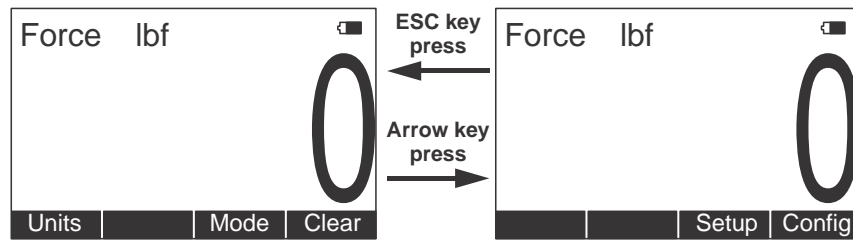
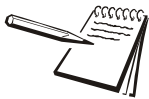


Figure 4.1 Initial displays





---

*Depending on permission settings and/or revision of firmware, various soft keys may be in a different location or not visible.*

---

The display sample above shows several symbols you may see on your display but usually not all at the same time.

- Force** This tells you that the display is showing live force measurement at the moment. Will show Peak when viewing Peak Mode.
- lbf** Current unit of measure is lbf in this example. May also be kgf or N. See note below.
- ~ Motion symbol. This appears when the force is in motion. This symbol disappears when motion ceases.
-  Battery annunciator. This shows approximate remaining battery life.
-  Capture of a new peak value. This annunciator will remain lit for a few seconds.



---

*lbf and kgf are units of force, not weight.*

---

## 5 EDjr Setup

One of the first things you should do to begin using the EDjr is to set it up to suit your specific needs and equipment. You can access the Setup menu, shown in Figure 5.1, using the soft keys. Press the appropriate soft key to accomplish the functions listed on the following pages.

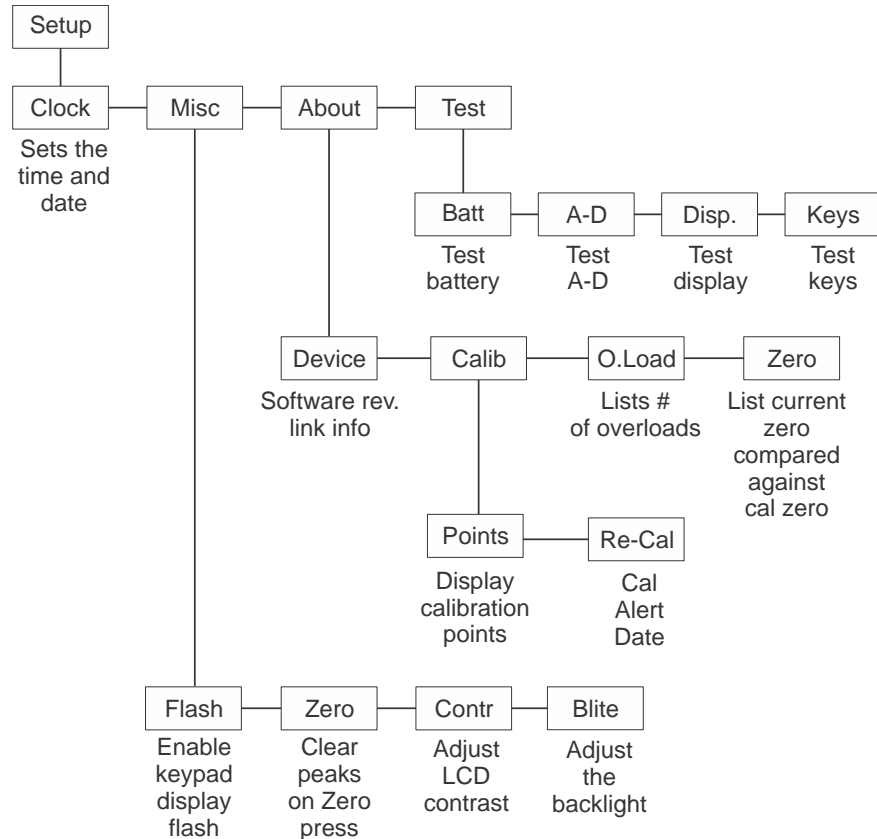


Figure 5.1 Operator setup menu

### 5.1 Clock

---

Press the **Clock** key to change the date and time.

### 5.2 Setup>Misc

---

Press the **Misc** key to access the following soft key set (refer to Figure 3):

- Flash** Press this soft key to enable or disable the “display flash” feedback. If enabled, the press of a key causes the display to momentarily flash to give you a visual feedback that the key was activated.
- Zero** Press this soft key to enable or disable the **Zero** key’s ability to also clear the Peak force value. If you enable this function, press the **Zero** key to clear the Peak force and zero the load. If you disable the function, the **Zero** key will only zero the load. Peak force remains in effect and will only be cleared with the Clear function during operation.

**Contr** Press this key to adjust the contrast of the LCD display. Press the **Down** soft key to lighten the contrast. Press the **Up** soft key to darken the contrast.

There is a keypad shortcut for increasing and decreasing contrast. While in normal display mode press **Arrow** key and **F2** simultaneously to increase contrast. Press **Arrow** key and **F1** simultaneously to decrease contrast

**BLite** Press this key to adjust the backlight brightness and sleep timer functions.

**Inten-** Backlight intensity can be set to a value of 1 - 10. Default backlight value is 5.

Press **Arrow** key and **F4** simultaneously to increase intensity.

Press **Arrow** key and **F3** simultaneously to decrease intensity

**Mode-** Select Backlight to operate as always On, always Off or the backlight can operate from a configurable Timer.

If set to Timer, the operator will be asked to enter the Time in Seconds, after motion stops that the backlight will shut off.

The next selection will allow the user to configure if motion resets timer. Choose Yes or No to have motion reset the Timer which turns off the backlight..



---

*Sometimes the individual soft keys are referred to as the F1, F2, F3 and F4 keys as numbered from left to right.*

---

## 5.3 Setup>About

---

The next soft key is **About**. The About menu shows an assortment of information about your Dillon instrument. This can be handy for maintaining calibration, troubleshooting or determining if the firmware can be upgraded. Press this and access the following soft key set (refer to Figure 3):

**Device** Press this to see software revision and dynamometer information.



---

*Dillon suggests that calibration data be recorded and saved.*

---

**Calib** This soft key access the following soft key set:

**Points** Press this key to display the calibration loading points.

**Re-Cal** Will show next re-calibration date and contact detail.

**O.Load** Lists the number of overloads that have occurred since the unit was manufactured.

**Zero** Lists the current zero point compared to the calibration zero point. If the zero point has moved significantly, this may indicate a serious overload has occurred and the instrument should be returned for service.

## 5.4 Setup>Test

---

The Test functions can help service technicians remotely diagnose your Dillon instrument by showing information on key internal functions. Typically these menus will have significance only to trained technicians. You may look at these menus without technical guidance, but the information may have little meaning, or an error may be reported that may not exist.

Press this key to access several items described below (refer to Figure 5.1):

- Batt** Press this key to perform a battery test. This shows the battery level in A-D counts and approximate voltage. Voltage is not calibrated.
- A-D** Press this key to test the A-D section of the EDjr. You need to apply force to change the counts and test the unit. The A-D is the electronics portion that converts analog load cell signal to digital numbers.
- Disp.** Press this key to perform a display test. Stop the test by pressing the **ESC** key.
- Keys** Press this key to perform key tests. Any key pressed will be reflected in the display. Press to end the test.



## 6 EDjr Operation

### 6.1 Display Modes

---

The EDjr has two display modes accessible by pressing the Mode soft key. See Figure 6.1.

The first display mode when you power up is the live force measurement mode.

Press the **Mode** soft key and the display changes to peak measurement mode. This mode shows the peak force applied to the EDjr since the last peak clearing action. Delete the peak reading by pressing the **Clear** soft key.

Press the **Mode** soft key again and the display returns to the force measurement mode.

### 6.2 Force Measurement

---

Follow these steps to perform a gross force measurement.

1. Turn on the unit with the **On/Off** key.
2. Remove any weight from the EDjr.
3. Zero the EDjr by pressing the **ZERO** key.
4. Apply the force to the EDjr and read the gross force on the display.

You can change the units of measure of the display by pressing the **Units** soft key. Zero reference is maintained after instrument power off and will be recalled with the next power-on. Zero reference may be lost if battery power is removed.

### 6.3 Force Measurement Rezero

---

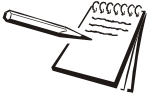
Rezeroing allows the weight or load of fixturing to be invisible to the measurement. **The zeroed load must always be considered as part of the maximum capacity.**

1. Turn on the unit with the **On/Off** key.
2. Remove any weight from the EDjr.
3. Zero the EDjr by pressing the **ZERO** key.
4. Apply the tare force to the EDjr and press the **ZERO** key.
5. Apply the force to the EDjr and read the net force on the display.

Steps 2 and 3 are not required if the weight of the fixturing is not needed. This should be maintained, however, to know cumulative loads.

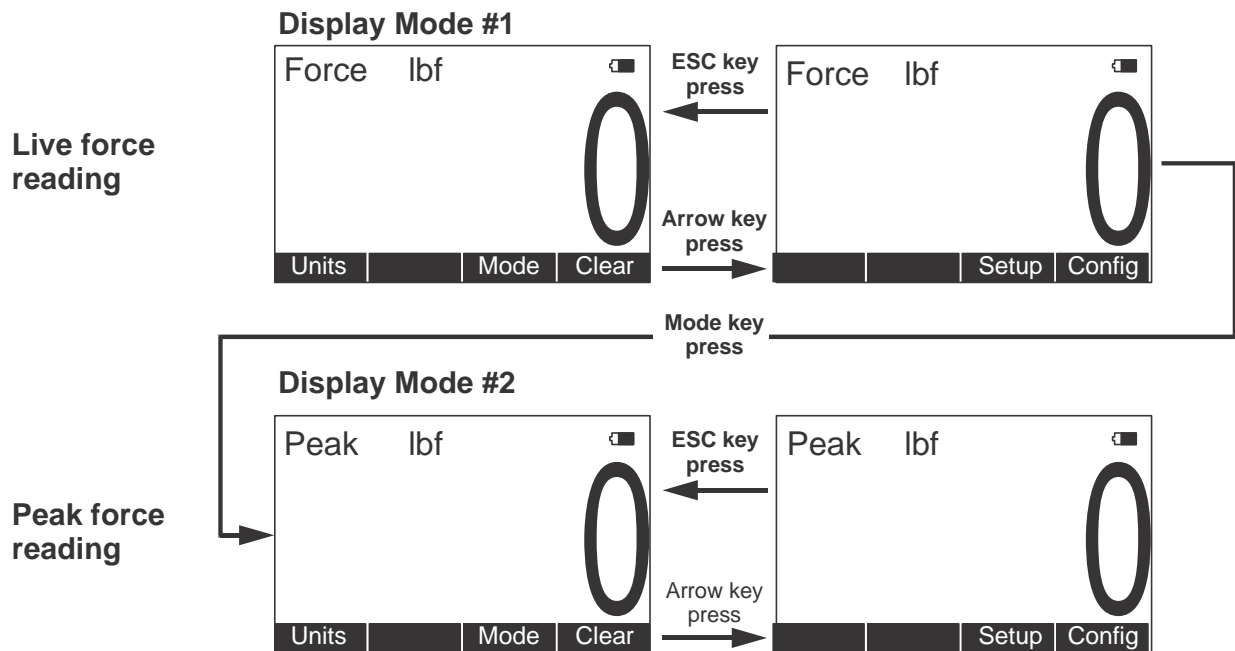
## 6.4 Displaying Peak Force

The EDjr will store the peak force applied until that reading is cleared. To display the peak force applied to an EDjr, from the force measurement mode, press the Mode soft key. The display changes to display mode #2 shown in Figure 6.1 which is the peak display mode. The peak force is displayed. You can clear this by pressing the Clear soft key.



*Peak force can only be reset to zero if live force is zero. Peak force will reset to match live force.*

Peak reading is maintained after instrument power off and will be recalled with the next power-on. Peak reading may be lost if battery power is removed.

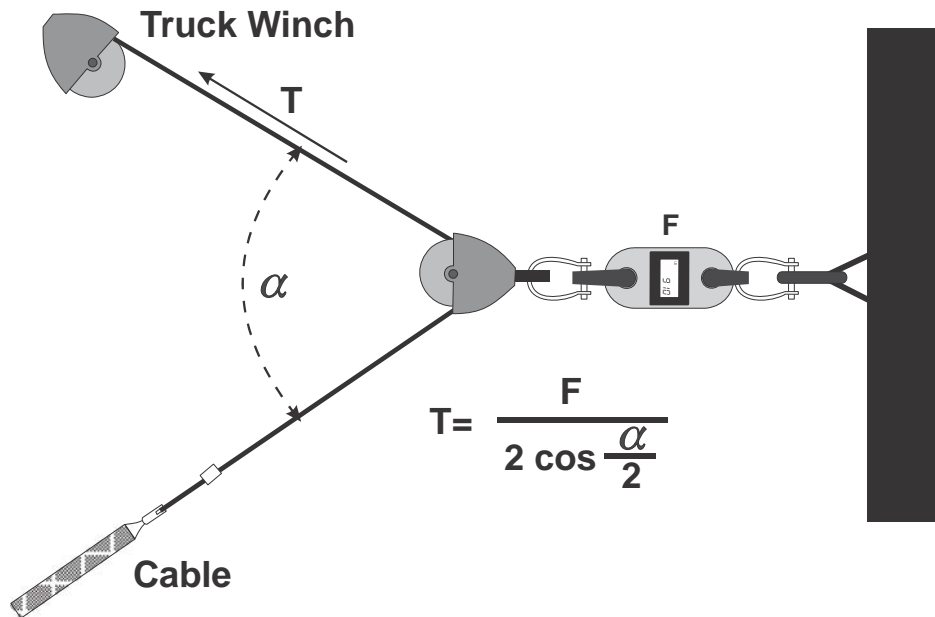


**Figure 6.1 Display mode menu**

Press the **Mode** soft key until the desired display mode is reached.

## 6.5 Calculating Tension in a System

---



The setup shown above will give you an approximate tension reading. This can vary from actual tension due to variables in equipment and environment.

## 7 Troubleshooting

| Problem                                  | Possible Cause                                     | Solution  |
|--|--|---|
| EDjr powers on momentarily and turns off | Low battery<br>Bad keypad                          | Replace with high quality alkaline batteries<br>Have EDjr serviced  |
| EDjr does not power on                   | Low battery<br>Bad keypad                          | Replace with high quality alkaline batteries<br>Have EDjr serviced  |
|  | Batteries installed backwards or no spring contact | Insure that positive terminals of both batteries (nub) face inward – towards the black cap. Check that spring is attached to the battery cap.   |
|  | Software reset                                     | Remove battery cap & reinstall after one minute. Attempt to turn power on again.  |
|  | Display contrast too light                         | Hold the <b>Arrow</b> key down while pressing the <b>F2</b> key several times to increase the display contrast. If nothing occurs, release both keys. Press the power button and try again. |
| Display is completely dark               | Display contrast too dark                          | Hold the <b>Arrow</b> key down while pressing the <b>F1</b> key several times to decrease the display contrast.   |
| Display flashes                          | Low battery  | Replace with high quality alkaline batteries  |

# 8 Weighing and Force Measurement Practice

The basis for all electronic force measurement or weighing is measurement of stress in a loadcell body. To obtain optimal results it is necessary to establish a few basic rules, otherwise the effect may be a nonlinear or non-repeatable response. Read and follow these tips and see the illustrations on the next page.

## 8.1 Load Centering

---

For accurate performance the force acting on the unit must be in line with the unit.

## 8.2 Alignment

---

Insure shackles are oriented parallel with the instrument. Apply load in the center of the shackle bow.

## 8.3 Proper Pin Fit

---

A proper fitting pin is important in order to generate an even stress distribution and avoid yield stresses. To achieve published accuracy you must use the shackle pins provided by Dillon.

## 8.4 Torque and Bending

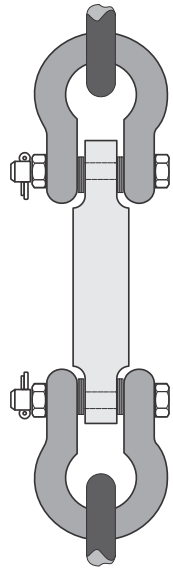
---

Torque and bending should be avoided. Use swivels on the lifting wire for anti-torque and avoid side forces.

## 8.5 Certified Gear

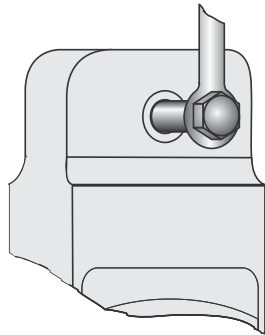
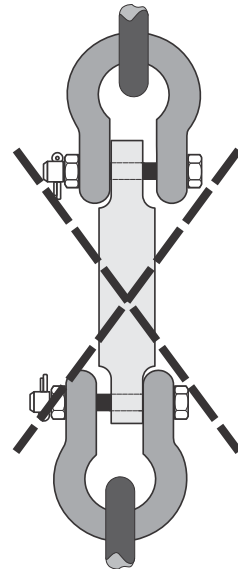
---

Certified shackles and lifting gear should always be used in accordance to local laws and federal legislation. Insure all hardware, fittings and line used to sustain the load are properly sized and rated for the installation. Have the system evaluated by a qualified engineer if any question or uncertainty exists.

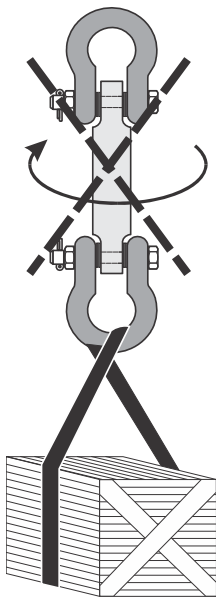
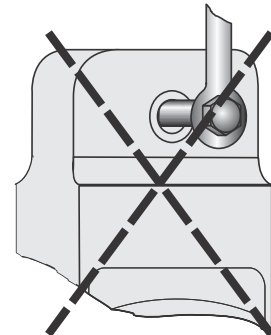


**Be sure fixturing does not bind between the body of the EDjr and the shackle!**

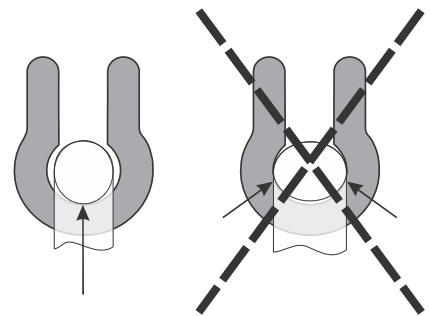
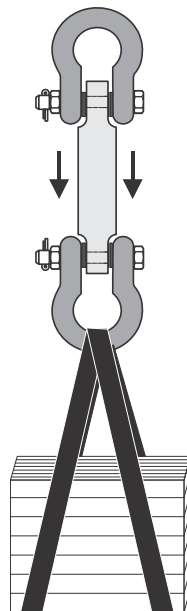
Center the load on the shackle pin. Use spacers to insure centering where applicable.



Use only with a pin of the same diameter and hardness as the original factory equipment.



Do not torque, bend or side-load.



Use hardware that allows single point attachment and freedom of alignment. Do not use hardware that is undersize or restricts self-alignment. This results in poor measurement performance and possible dangerous safety conditions.

**Figure 8.1 Good force measurement practice**



#### **AUTHORIZED DISTRIBUTORS**

**Ask the experts.** Dillon distributors offer complete service capabilities from application assistance to sales and product support. Their experienced representatives are the most knowledgeable experts that you will find in the force measurement industry. We recommend that you consult these capable specialists for all of your measuring needs.

# **DILLON**

**Overload Protection and  
Overhead Weighing Equipment**

Fairmont, Minnesota U.S.A.

Toll-Free: (800) 368-2031

Phone: (507) 238-4461

Fax: (507) 238-8258

[www.dillon-force.com](http://www.dillon-force.com)